

REVISION DATA		
REV	DESCRIPTION	DATE
A0	NEW DRAWING	2012-10-19

**Technical Data:**

**Material:**

Contact : Stainless Spring steel

Wire guard : Brass

Surface of solder tail : Tin plated

Insulator body(housing) : PA66(Glass filled)(UL94V-0)

**Electrical**

Voltage rating : 300VAC

Current rating : 10Amps/way max

Contact resistance : 20mΩ (max)

Insulation resistance : 1000MΩ min.

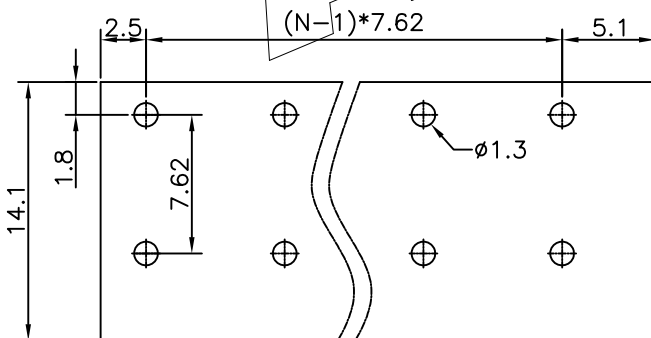
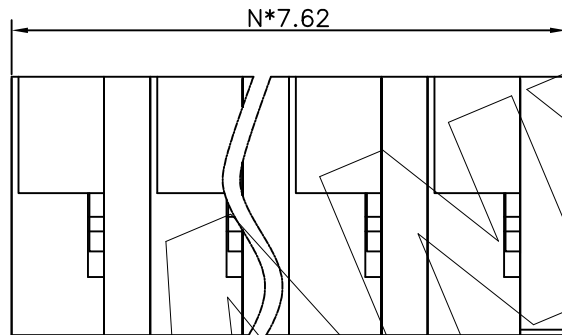
Wire range: 14-24AWG

**Mechanical:**

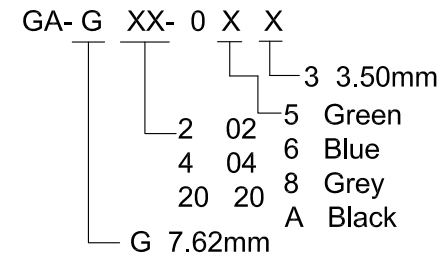
Operating temperature : -50°C to +105°C

Test temperature= 250°C 5 seconds max.

N=Number of contacts



PCB LAYOUT



**ANYCONN®** 东莞市恩康电子有限公司

www.enkcom.com

**DONGGUAN ANYCONN ELECTRONICS CO.,LTD**

TOLERANCE ANGLE ±5° X.XXX ±0.10 X.XX ±0.20 X.X ±0.30 X. ±0.50	PROJECTON		TITLE: GA Pitch 7.62mm Series			
	DATE :	2012-11-08	PART NO: GAGXX0X3A			
	DRAWN :	Anna	DRAWING NO: AN-GAGXX0X3A			
	CHECKED :		REV: A0	UNIT: mm	SCALE: 3:1	SIZE: A4
APPROVED :						